



METALSYSTEM

EXCELÊNCIA EM PRODUTOS

**itp**TM
styli

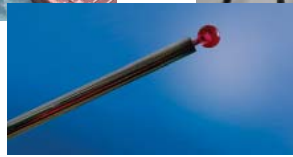
M6



Rua João Pereira Chaves, 440
Jardim América - São Leopoldo - RS - Brasil
CEP: 93032-320

Fone/Fax: +55.51.3037.4868
vendas@metalsystem.ind.br
www.metalsystem.ind.br





Adapter Plates and Adapter Plate Extensions

Adapter plates equivalent to Zeiss Vast and MT with active ID chip and individual plate code. Every plate is tested before shipping. Unbeatable price and ships same day.

Adapter plate extensions with or without cube offer integral components to maximize rigidity.



Temp-Comp: Constant Length at Varying Temperatures

Temp-Comp thermal stable carbon fiber provides relatively low weight and the greatest temperature stability. When coupled with our unique titanium end cap design, thermal expansion is essentially zero on a 180 mm long extension.



Custom Probe Tooling Solutions

Ask us about custom probe tooling solutions from design to delivery. Titanium holders with your unique angles are coupled with Temp-Comp thermal stable carbon fiber in rigid configurations designed to improve cycle time and measurement accuracy.

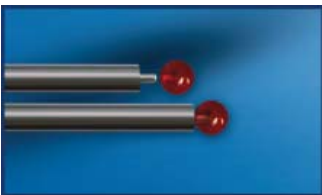
itp Specials: Custom Styli Manufactured to Your Specifications



Whether it is a simple change in length or a more elaborate customization, itpstyli welcomes the opportunity to provide the solution you need.

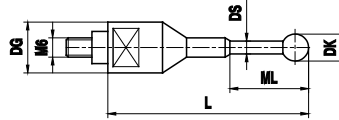


Best Quality



Peg mounted ruby spheres drilled in-house increase durability and accuracy on spheres up to 10mm in diameter. (Below 0.5mm, drilling is not possible)

**M6
Faro Arm
Straight Styli
Carbide**

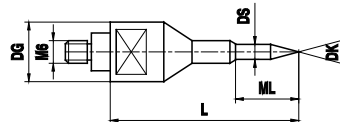


**Ball Range
1.6-25.4 mm**

TN: 175 – O: 22600

DK	Inch	L	DS1 DS	Base/Stem Material	Part Number
1.58	1/16"	47.0	1.0	Stainless steel / Carbide	TH M6 H16 16 047
3.0	-	49.0	2.0	Stainless steel / Carbide	TH M6 R30 16 049
3.0	-	49.0	2.0	Stainless steel / Carbide	TH M6 Z30 16 049
3.175	1/8"	49.0	2.0	Stainless steel / Carbide	TH M6 Z08 16 049
3.175	1/8"	49.0	2.0	Stainless steel / Carbide	TH M6 R08 16 049
3.175	1/8"	49.0	2.0	Stainless steel / Carbide	TH M6 D08 16 049
3.175	1/8"	100.0	2.0	Stainless steel / Carbide	TH M6 H08 16 100
3.175	1/8"	100.0	2.0	Stainless steel / Carbide	TH M6 D08 16 100
6.35	1/4"	49.0	2.0	Stainless steel / Carbide	TH M6 Z04 16 049
6.35	1/4"	49.0	2.0	Stainless steel / Carbide	TH M6 R04 16 049
6.35	1/4"	49.0	2.0	Stainless steel / Carbide	TH M6 D04 16 049
6.35	1/4"	100.0	3.5	Stainless steel / Carbide	TH M6 H04 16 100
6.0	-	49.0	2.0	Stainless steel / Carbide	TH M6 Z60 16 049
6.0	-	49.0	2.0	Stainless steel / Carbide	TH M6 R60 16 049
7.93	5/16"	49.0	3.5	Stainless steel / Carbide	TH M6 H516 16 049
8.0	-	49.0	3.5	Stainless steel / Carbide	TH M6 R80 16 049
10.0	-	49.0	3.5	Stainless steel / Carbide	TH M6 R100 16 049
12.0	-	59.0	3.5	Stainless steel / Carbide	TH M6 R120 16 059
12.69	1/2"	59.0	3.5	Stainless steel / Carbide	TH M6 H02 16 059
16.0	-	59.0	3.5	Stainless steel / Carbide	TH M6 H160 16 059
18.0	-	59.0	3.5	Stainless steel / Carbide	TH M6 H180 16 059
20.0	-	59.0	3.5	Stainless steel / Carbide	TH M6 H200 16 059
25.4	1"	69.0	3.5	Stainless steel / Carbide	TH M6 H10 16 069

**M6
Faro Arm
Pointer Styli
Carbide**

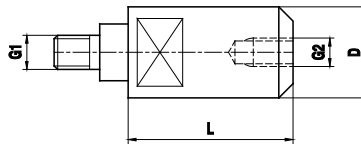


30° Pointer

TN: 217 – O: 22700

DG D	L	Stem Base/Tip Material	Part Number
16.0	47.0	Stainless steel / Carbide	IH M6 030 16 047

**M6
Faro Arm
Adapter
Stainless Steel**

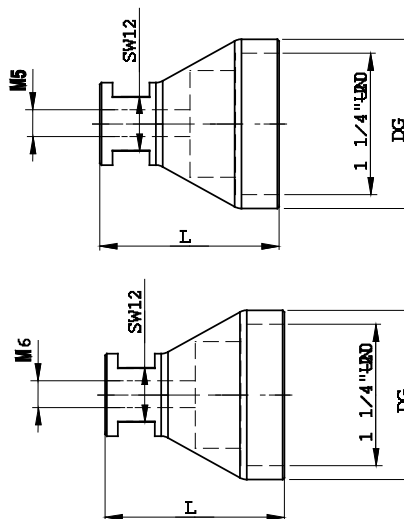


**Adapter M6 to
M5, M4, M3 & M2**

TN: 176 - O: 22800

DG D	L	G1 G2	Material	Part Number
16.0	29.0	M6 / M5	Stainless steel	RI M6 500 16 029
16.0	29.0	M6 / M4	Stainless steel	RI M6 400 16 029
16.0	29.0	M6 / M3	Stainless steel	RI M6 300 16 029
16.0	29.0	M6 / M2	Stainless steel	RI M6 200 16 029

**M6
Faro Arm
Adapters
Stainless Steel**



**Adapter for Faro
Platinum/Gold**

TN: 416 - O: 22850

DG D	L	G1 G2	Body Material	Part Number
38.0	39.0	1.25"/M5	Stainless Steel	RI UN 11/4 M5 38 039
38.0	39.0	1.25"/M6	Stainless Steel	RI UN 11/4 M6 38 039